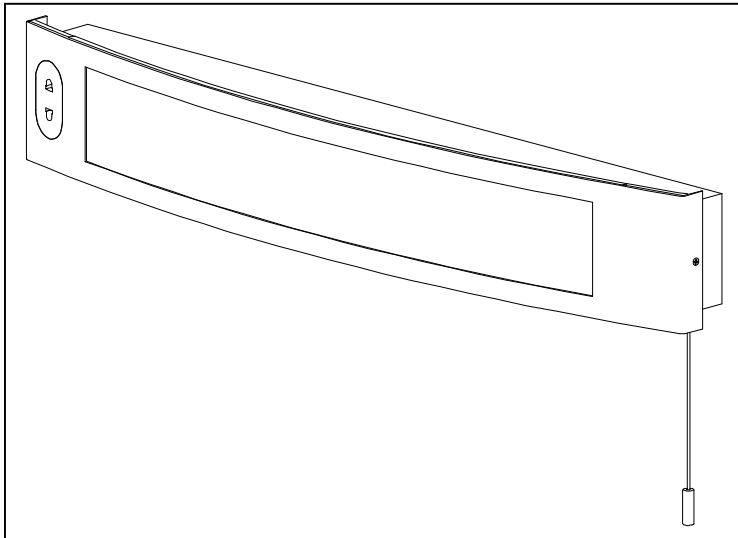


astro



**Seville  
Shaver Light**

**INSTALLATION  
INSTRUCTIONS**

## Contents:

- 2 x Screws.
- 2 x Metal Trim fixing screws.
- 1 x White Glass Shade.
- 1 x Polished Metal Trim.
- 1 x Shaver Light Body.
- 1 x Shaver Light Back Cover.

## Safety First!

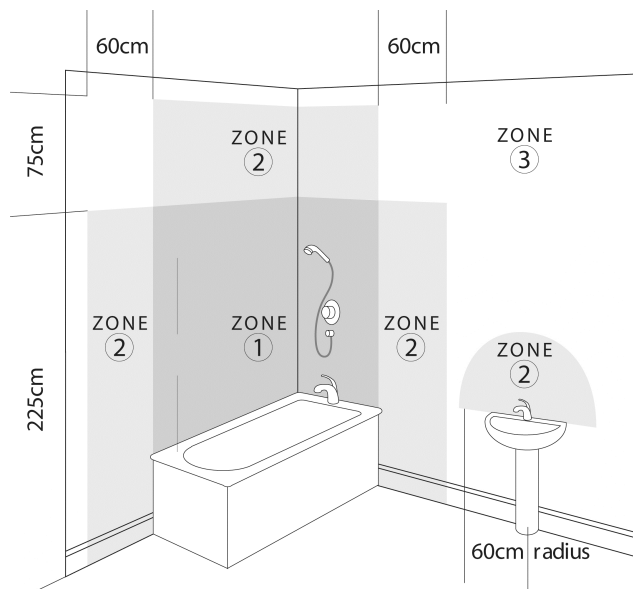
This light fitting should ONLY be fitted to a 5A fused circuit.  
It is suitable for INDOOR USE ONLY.

(for products that are double insulated only)

### Important

This light fitting is double insulated and must not be earthed. Do not attach any part of it to an earth wire or terminal.

**For use in the Bathroom this light is rated for use in zone 3 only. It must not be placed in zone 1 or 2.**



## Before Starting

These instructions are provided for your safety. Please read them before commencing work, and keep for future reference.

## Fixing Instructions

The following items are required to install this light fitting:

- Screw driver suitable for a cross-head screw.
- Small electrical drill and insulating tape.
- Pencil.
- 2 x wall plugs (suitable for the type of wall)

## Step 1

### Warning!

Electricity can be dangerous.

Before commencing installation, isolate the circuit to be used by removing the fuse or circuit breaker at the consumer distribution unit. Do not just turn off at the wall switch.

We recommend that this fitting is fitted by a qualified electrician.

Installation must be in accordance with I.E.E. regulations.

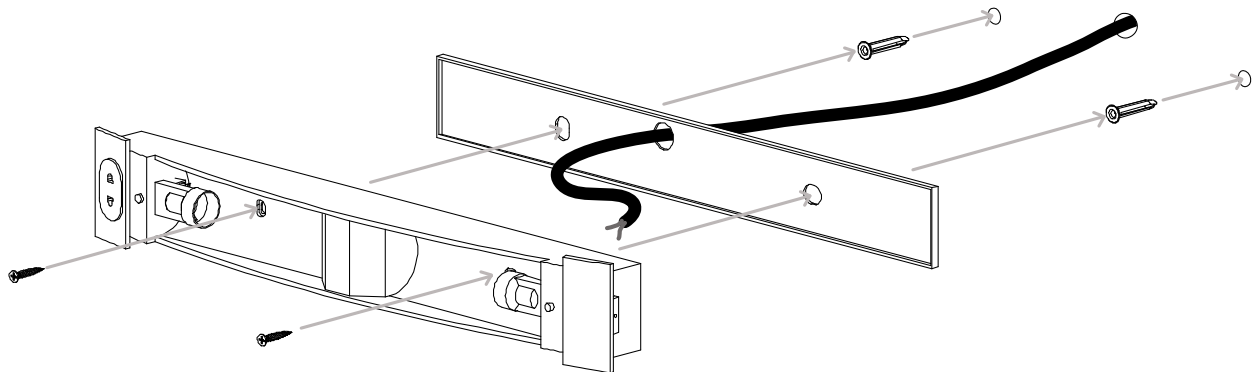
Do not attempt this work unless you are competent to install electrical wiring.

## Step 2

Remove the existing light fitting and ensure there is a joist at the point of fixing to take the weight of the fitting. Ensure no hidden wires or pipes are in the area the fitting is to be installed.

## Step 3

Remove the Metal Trim and the White Glass Shade. Using the Shaver Light Body as a guide, mark the positions of the fixing holes on the wall adjacent to the supply wiring.



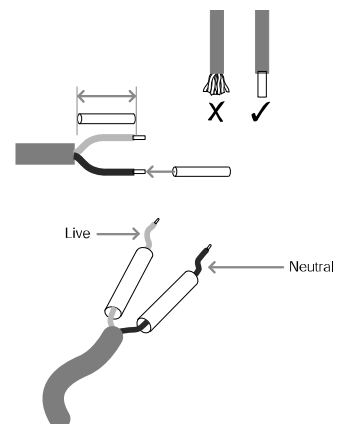
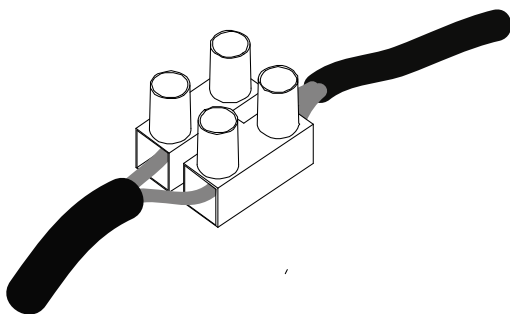
## Step 4

Feed the supply cable through the cable entry hole in the Shaver Light Back Cover.

## Step 5

Connect the live supply cable (normally red) to the terminal marked L.  
Connect the neutral supply cable (normally black) to the terminal marked N.

(for class 2 double insulated product only)



**Please note:** If your light fitting is not at the end of a wiring 'spur', there will be a pair of live through' wires in your supply wiring which are coloured either red or black. These should be connected together using an additional terminal block. If in any doubt, consult a qualified electrician.

## Step 6

Check that:

- You have correctly identified the house wires.
- The connections are tight.
- No loose strands have been left out of the connection blocks.

## Step 7

Wrap two layers of electrical insulation tape around the connection block and around the wiring 2cm on either side of the connection block.

## Step 8

Taking care not to damage any concealed wiring, screw the Shaver Light Body and the Shaver Light Back Cover to the wall.

## Step 9

Insert 2 x 40W E14 Candle Bulbs into the lamp holders.

## Step 10

Fit the White Glass Shade over the lugs, and then clip the Metal Trim over the Shaver Light Body. Secure the Metal Trim with the 2 x screws provided.

### Selecting the correct light bulb

- Maximum wattage – 40w
- Light bulb shape – E14



For Halogen Capsules:

**When fitting halogen capsules, take care not to touch the capsule directly with fingers. As this will leave a residue of grease on the glass surface. This will reduce the life of the capsule.**

Minimum distance between lamp and illuminated surfaces should be 0.5m.

Do not exceed the maximum wattage or different shape light bulb. This may cause your light fitting to overheat.

### **Switch on!**

You may now switch the electricity back on.

### **Cleaning**

We recommend cleaning with a soft dry cloth. Do not use abrasive materials or water.

### **Safety Information**

Always switch off the electricity supply before changing the bulb or cleaning.